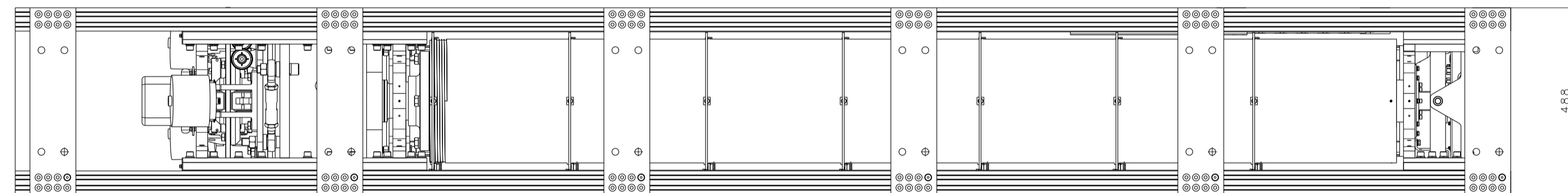
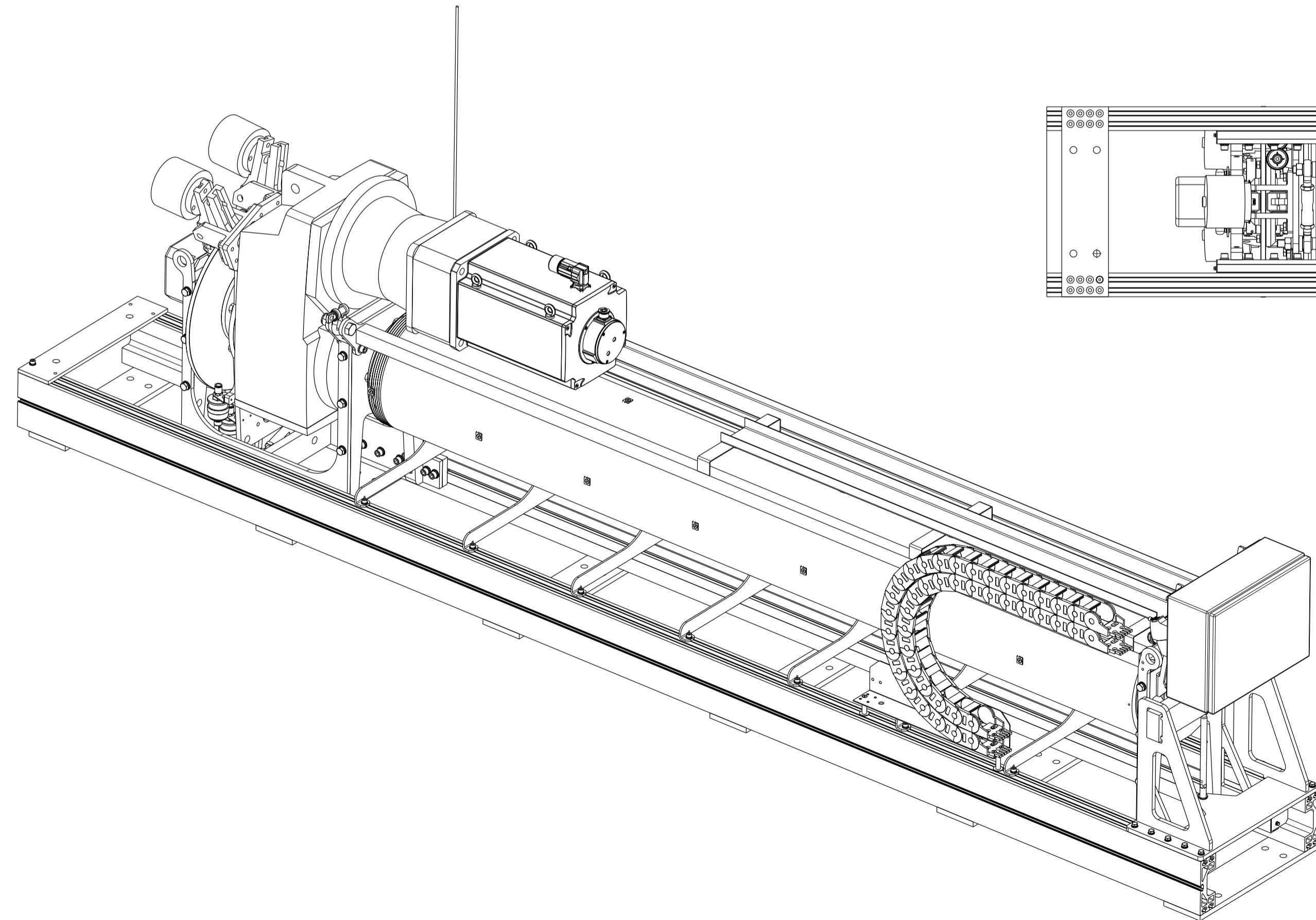


3909
7 LINES, 6m SWR, 47m STROKE CONFIGURATION



488



AVAILABLE SPECIFICATION:

SWL - UP TO 2500kg
SPEED - UP TO 2.5m/s AT 2000kg SWL

SPEED/SWL COMBINATIONS TAYLORED TO CLIENT REQUIREMENTS
IN KEEPING WITH MAXIMUM MECHANICAL POWER OUTPUT AVAILABLE.

A	PML	---	05/09/08	FIRST ISSUE
REV	DRWN	CHRD	DATE	DESCRIPTION
COPYRIGHT RESERVED BY STAGE TECHNOLOGIES				THIS DRAWING AND THE INFORMATION CONTAINED HEREIN IS CONFIDENTIAL AND THE PROPERTY OF STAGE TECHNOLOGIES LTD AND MUST NOT BE COPIED OR DISCLOSED TO ANY THIRD PARTY WITHOUT PRIOR WRITTEN CONSENT.
THIRD ANGLE PROJECTION	MEDIA	A1	SCALE	1:10
DATE	MODEL	DRAWN	CHECKED	---
05/09/08	PML	PML	---	---
PROJECT				BT2 - 490
DESCRIPTION				GENERAL ARRANGEMENT
CLIENT DRAWING NUMBER				BT2-ME-4901
DRAWING NUMBER				1/1

STAGE TECHNOLOGIES

9 FALCON PARK
NEASDEN LANE
LONDON NW10 1BZ
ENGLAND
TEL: +44 (0)20 8208 6000
FAX: +44 (0)20 8208 6006
WEBSITE: www.stage-tech.com
E-MAIL: automation@stage-tech.com